

## SUPREME® Standard Forward Seal (STF)



**Effective Sealing  
off the Oil**

Based on the success of the SUBLIME Seal, IHC Lagersmit developed the SUPREME Range. The product line entered the market in the 1980's. The SUPREME Standard is the basic version within the SUPREME range.

### **SUPREME Standard Forward Seal**

The SUPREME Standard Forward Seal is equipped with two NBR lip seals: both oil repellant. The housing parts are made of cast iron. The lip seals run on a chrome steel liner.

### **SUPREME Special Design**

We know every application is different. The SUPREME seal is designed to fit specific customer needs. At the customer's request, IHC Lagersmit designs and develops innovative tailor-made solutions. Even very special hybrid versions of LIQUIDYNE and SUPREME seals are designed. Examples of these applications are available on request.

An extensive set of options is available to meet varying customer demands. The most commonly used options are FPM lip seals and the application of a hard metal layer on the liner. This combination ensures absolute minimum wear, which minimizes maintenance. The benefit? Low cost of ownership.

### **Applications**

SUPREME Standard Forward Seal applications include conventional shafts and controllable-pitch propeller systems.

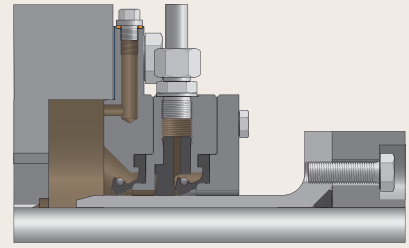
#### **Options**

Installation commissioning  
Liner: split version  
Liner: hard metal layer  
Liner: ceramic layer  
Lip seals: FPM  
Hastelloy lip seal springs

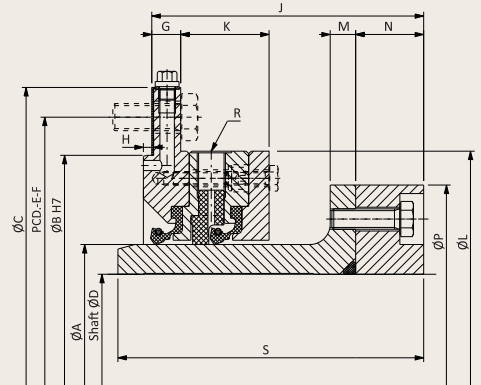
## SUPREME Standard Forward Seal (STF)

A	220	240	260	280	300	330	355	380	400	420	450
D min.	191	209	229	249	265	285	315	338	363	381	401
D max.	208	228	248	264	284	314	337	362	380	400	426
B	305	345	365	385	405	435	475	500	520	540	575
C	370	425	445	465	485	515	565	590	610	630	675
E	340	390	410	430	450	480	525	550	570	590	630
F	8x M12x	12x M16x	12x M16x	12x M16x	12x M16x	12x M16x	12x M20x	12x M20x	12x M20x	12x M20x	12x M20x
	40	40	40	40	40	40	50	50	50	50	50
G	17	17	17	17	17	17	19	19	19	19	19
H	5	5	5	5	5	5	5	5	5	5	5
J	145	150	150	155	160	160	175	175	180	185	185
K	54	54	54	54	54	54	62	62	62	62	62
L	315	350	370	390	410	440	465	490	510	530	560
M	12	12	12	15	15	15	15	15	20	20	20
N	40	40	40	40	40	40	40	40	50	50	50
P	280	300	320	350	370	400	430	460	480	500	530
R	G-3/8"	G-3/8"	G-3/8"	G-3/8"	G-3/8"	G-3/8"	G-3/8"	G-3/8"	G-3/8"	G-3/8"	G-3/8"
S	165	165	175	170	180	180	195	195	195	200	205
Weight (kg)	42	44	48	66	72	80	85	98	120	130	140
Article no.	56260 xxx	907	908	909	910	911	912	913	914	915	916

A	480	500	530	560	600	630	670	710	750	800	850
D min.	427	457	476	501	531	561	591	631	671	711	751
D max.	456	475	500	530	560	590	630	670	710	750	795
B	605	625	655	700	740	770	810	865	905	960	1010
C	705	725	755	820	860	890	930	990	1030	1090	1140
E	660	680	710	765	805	835	875	930	970	1030	1080
F	12x M20x	12x M20x	12x M20x	12x M24x	12x M24x	12x M24x	12x M24x	16x M24x	16x M24x	20x M24x	20x M24x
	50	50	50	60	60	60	60	60	60	60	60
G	22	22	22	24	24	24	24	26	26	26	26
H	5	5	5	5	5	5	5	5	5	5	5
J	190	190	195	200	205	220	240	245	245	248	248
K	62	62	62	62	62	62	62	62	64	64	64
L	590	610	640	670	710	740	780	820	860	910	960
M	20	20	20	20	20	25	25	25	25	25	30
N	50	50	55	55	55	55	60	60	60	60	60
P	560	580	610	650	700	730	770	830	870	910	960
R	G-3/8"	G-3/8"	G-3/8"	G-3/8"	G-3/8"	G-3/8"	G-3/8"	G-3/8"	G-3/8"	G-3/8"	G-3/8"
S	205	205	210	215	235	245	265	260	260	260	260
Weight (kg)	150	175	190	200	210	270	310	340	390	440	500
Article no.	56260 xxx	918	919	920	921	922	923	924	925	926	927



### Cross-section SUPREME STF



### SUPREME STF

C – Wear-resistant coating (ceramic on cast iron liner)  
N – FPM lip seals

#### IHC Lagersmit

Smitweg 6  
P.O. Box 5  
2960 AA Kinderdijk, The Netherlands

T +31 78 691 04 72  
F +31 78 691 04 77  
sales.lagersmit@ihcmerwede.com  
www.ihclagersmit.com  
www.ihcmerwede.com