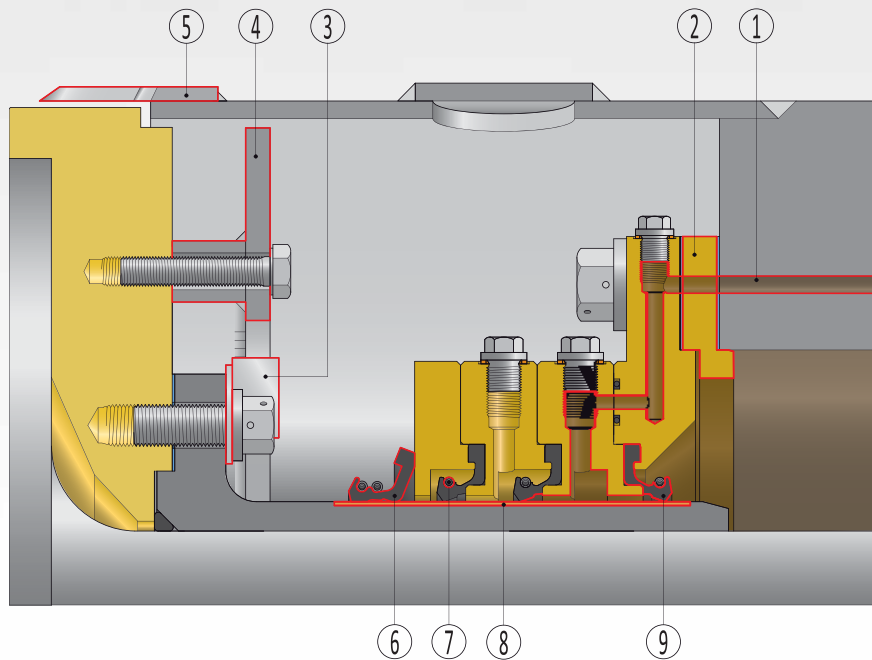


## SUPREME® options



**Customized  
SUPREME  
options**

### SUPREME 2/2

Enjoy the comfort of replacing the distance ring, lip seals, liner and/or housing parts without pulling the propeller shaft. SUPREME seals are available in a fully divisible '2/2' design (refer to table on the other side).

### Service and commissioning

Our service engineers offer ongoing consultation 24/7. In addition to service and repair, our engineers take a supervisory role to ensure proper installation of a sealing system.

#### 1. Lubrication

By lubricating the SUPREME seal, wear is reduced and lifetime of the seal is extended. SUPREME seals may be lubricated with both oil and grease.

#### 2. Distance ring

Extend the lifetime of a liner. A divisible distance ring can be fitted in the SUPREME design. Over time, the rubber lip seals wear down the liner. By removing or adding the distance ring, the housing parts can be repositioned. After repositioning, the lip seals run on a new surface and the lifetime of the seal is extended.

#### 3. Cathodic protection

Placing anodes on the seal delivers improved corrosion protection to the liner.

#### 4. Wire winder

Protect your seal from damage caused by (fishing) lines. A wire winder can be mounted on the propeller hub.

#### 5. Net cutter

Protect your seal from damage caused by fishing nets. Stainless steel net cutters can be fitted on the rope guard.

#### 6. Dirt barrier

Avoid damage to the aft seal caused by sand and debris. Dirt barriers also prevent small fishing lines from entering the seal. Dirt barriers can be delivered with and without protective cover.

#### 7. Lip seal springs

Hastelloy® lip seal springs are more resistant to corrosion. All lip seal springs can be delivered as Hastelloy® lip seal springs.

#### 8. Liner: wear resistant coatings

Reduce wear and invest in a more durable product. When sailing in shallow waters, the rubber lip seals run in the liner. By applying a hard metal layer or ceramic coating wear is reduced, guaranteeing a longer lifetime of the liner.

#### 9. Lip seal material

Basic SUPREME seals are equipped with NBR lip seals. Depending on the operating conditions (speed, draught) FPM lip seals must be used instead of NBR lip seals.

## Fully split SUPREME seal (2/2)

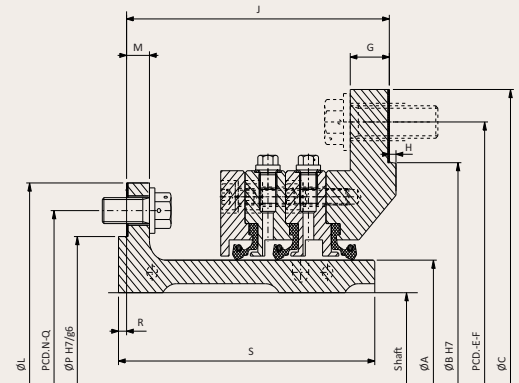
Find the dimensions of the SUPREME 2/2 below. On customer request it is possible to solely deliver a split distance ring, liner or housing parts.

A	220	240	260	280	300	330	355	380	400	420
Dm	165	185	205	225	245	265	295	320	345	365
Dmx	184	204	224	244	264	294	319	344	364	384
B	305	345	365	385	405	435	475	500	520	540
C	370	425	445	465	485	515	565	590	610	630
E	340	390	410	430	450	480	525	550	570	590
F	8x	12x	12x	12x	12x	12x	12x	12x	12x	12x
	M12x	m16x	m16x	m16x	m16x	m16x	m20x	m20x	m20x	m20x
	40	55	55	55	55	55	60	60	60	60
G	17	22	22	22	22	22	22	22	22	22
H	5	5	5	5	5	5	5	5	5	5
J	160	170	175	175	175	175	195	195	200	200
Tolerance	3	3	3	3	3	3	4	4	4	4
L	300	320	340	360	375	425	450	480	500	520
M	13	13	16	16	16	16	16	16	21	21
N	270	290	310	330	346	390	416	440	460	486
Q	8x	8x	8x	12x	12x	12x	12x	12x	12x	12x
	m12x	m12x	m12x	m12x	m12x	m12x	m16x	m16x	m16x	m16x
	30	30	30	30	30	30	35	35	35	40
P	240	260	284	300	320	360	384	406	424	450
R	5	5	5	5	5	6	6	6	6	6
S	156	166	171	171	171	171	190	190	195	195
Weight (kg)	48	66	72	80	85	98	120	130	140	150
Article no.	907	908	909	910	911	912	913	914	915	916

A	450	480	500	530	560	600	630	670	710	750
Dm	385	415	445	465	495	525	561	591	631	661
Dmx	414	444	464	494	524	560	590	630	660	700
B	575	605	625	655	700	740	770	810	865	905
C	675	705	725	755	820	860	890	930	990	1030
E	630	660	680	710	765	805	835	875	930	970
F	12x	12x	12x	12x	12x	12x	12x	12x	16x	16x
	m20x	m20x	m20x	m24x	m24x	m24x	m24x	m24x	m24x	m24x
	65	65	65	75	75	75	75	75	75	75
G	22	22	22	22	24	24	24	24	26	26
H	5	5	5	5	5	5	5	5	5	5
J	225	225	225	225	240	240	245	245	280	280
Tolerance	4	4	4	4	5	5	5	5	5	5
L	550	590	600	630	675	700	760	820	840	885
M	21	21	21	21	21	21	26	26	26	26
N	510	550	560	590	630	660	710	750	790	836
Q	12x	12x	12x	12x	12x	12x	12x	12x	12x	16x
	m16x	m20x	m20x	m20x	m20x	m24x	m24x	m24x	m24x	m24x
	40	45	45	45	45	55	55	55	55	55
P	476	510	526	550	588	620	670	710	740	780
R	7	7	7	7	8	8	8	9	9	9
S	220	220	220	220	234	234	239	239	274	274
Weight (kg)	175	190	200	210	270	310	340	370	440	500
Article no.	917	918	919	920	921	922	923	924	925	926



## Fully split SUPREME seal (2/2)



## SUPREME 2/2

Type approvals are available from the major classification societies.

### IHC Lagersmit

Smitweg 6  
P.O. Box 5  
2960 AA Kinderdijk, The Netherlands

T +31 78 691 04 72  
F +31 78 691 04 77  
sales.lagersmit@ihcmerwede.com  
www.ihclagersmit.com  
www.ihcmerwede.com